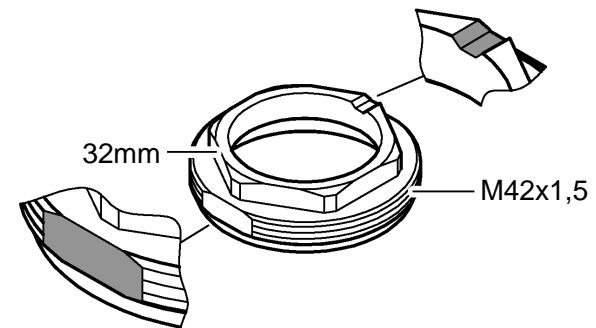
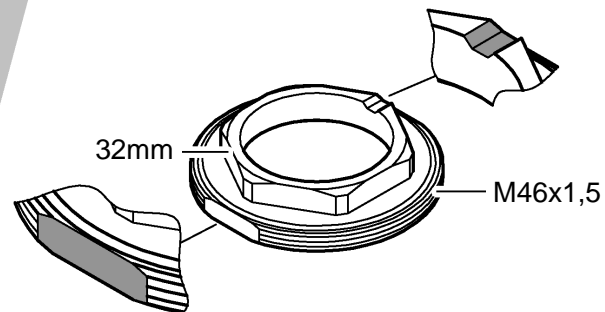
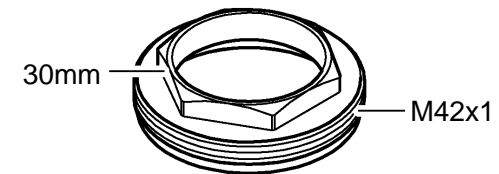
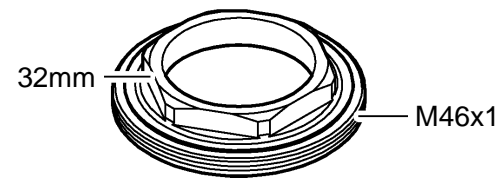
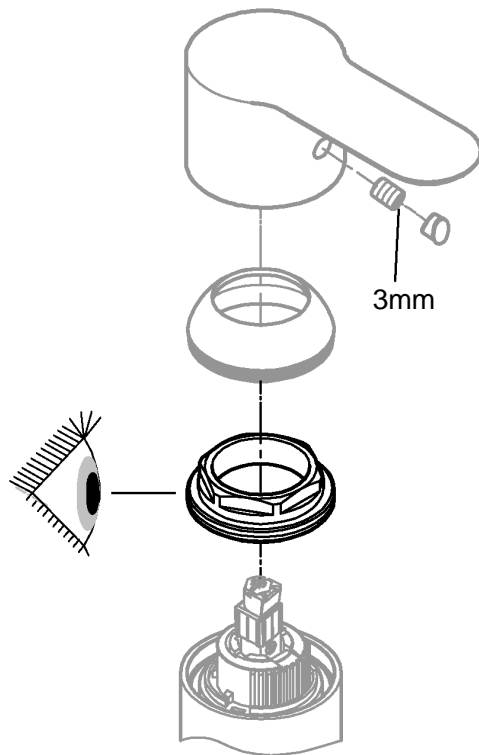
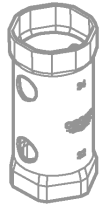


# 46 460



\*19 332



32mm

46 715

